







EXPLANATION OF ABBREVIATIONS IN CATALOGUE

VERDUIDELIKING VAN AFKORTINGS IN KATALOGUS

Calf traits	DIRECT CALF TRAITS	DIREKTE KALF EIENSKAPPE	Kalf eienskappe
Daughter traits	DAUGHTER TRAITS	DOGTER EIENSKAPPE	Dogter eienskappe
Growth traits	GROWTH	GROEI	Groei eienskappe
Efficiency traits	EFF	DOEL	Doeltreffendheids eienskappe
Reproduction traits	REPRODUCTION	REPRODUKSIE	Reproduksie eienskappe
Body measurements	MEASURE	MATES	Liggaamsmates
Lot number	Lot	Lot	Lotnommer
Ratio	R:	V:	Verhouding
Identification number	ID	ID	Identifikasienommer
Generation/Section of Herdbook	Gen	Gen	Generasie/Afdeling van kuddeboek
Weight in kilogram	Wgt kg	Gew kg	Gewig in kilogram
Index	Ind	Ind	Indeks
Accuracy of breeding value	Acc	Akk	Akkuraatheid van teelwaarde
Birth direct (kg)	Birth Dir	Geb Dir	Geboorte direk (kg)
Birth maternal (kg)	Birth Mat	Geb Mat	Geboorte maternaal (kg)
Wean direct (kg)	Wean Dir	Speen Dir	Speen direk (kg)
Wean maternal (kg)	Wean Mat	Speen Mat	Speen maternaal (kg)
Mature weight (kg)	Mature Wgt	Volw Gew	Volwasse gewig (kg)
365 Days (kg)	365d	365d	365 Dae (kg)
540 Days (kg)	540d	540d	540 Dae (kg)
Average daily gain (g/day)	ADG	GDT	Gemiddelde daaglikse toename (g/dag)
Feed conversion ratio	FCR	VOV	Voeromsetverhouding
Scrotal circumference (mm)	SC	SO	Skrotum omvang (mm)
Age First Calving	AFC	OEK	Ouderdom Eerste Kalwing
Inter Calving Period	ICP	TKP	Tussen Kalf Periode
Height (mm)	Hgt	Hgt	Hoogte (mm)
Length (mm)	Lgt	Lgt	Lengte (mm)
Length : Height ratio	LHR	HLV	Lengte : Hoogte verhouding
Birth weight : Cow weight ratio	BWR	GGV	Geboortegewig : Koeigewig verhouding
Wean weight : Cow weight ratio	WWR	SGV	Speengewig : Koeigewig verhouding
Age in years and months / Number of calvings	Age / Calv	Oud / Kalw	Ouderdom in jare en maande / Aantal kalwings
Average Wean index / Number of calves	Ave WI / Calf	Gem SI / Kalf	Gemiddelde Speenindeks / Aantal kalwers
Reproduction index	R.I.	R.I.	Reproduksie Indeks
Polled	Polled	Poena	Poena
Post Wean 365 days & Post Wean 540 days	PW365 & PW540	NS365 & NS540	Naspeen 365 dae & Naspeen 540 dae
Growth test & Growth test group	GT & GTg	GT & GTg	Groei Toets & Groeitoets groep
Central test	CT	ST	Sentrale toets
Ouerskap Verifikasie	OV	PV	Parentage Verification
Genomies Getoets	GT	GT	Genomically Tested
Homosigoties Poena (Celtic Toets)	PP(c)	PP(c)	Homozygous Polled (Celtic Test)
Heterosigoties Poena (Celtic Toets)	Pp(c)	Pp(c)	Heterozygous Polled (Celtic Test)
Beide Ouers Geverifieer	PV	PV	Both Parents Verified
Sire Geverifieer	SV	SV	Sire Verified
Dam Geverifieer	DV	DV	Dam Verified







Lot	Seller	ID	PARENTS	Test	Breeding Value Indexes											Semen Users	Breeder Own Remarks					
					DIRECT CALF TRAITS		DAUGHTER TRAITS			GROWTH		EFF.	REP	MEASUREMENTS				R:				
		POLLED		Gen		SIRE	PV	Genomic Tested	Birth Dir	Wean Dir		Birth Mat	Wean Mat	Mat Wgt	Post Wean	ADG	FCR	SC	Hgt	Lgt	LHR	
						DAM	PV	DNA	Acc	Acc		Acc	Acc	Acc	Acc	Acc	Acc	Acc	Acc	Acc	BWR	
						GV	PV	Birth Date	Wgt kg	Wgt kg	Ind	kg	kg	kg	365d Ind	540d Ind	Ind	Ind	(mm)	(mm)	(mm)	WWR

BULLS







1	DISCO BONSMARAS	VJN 160089	CEW 110254	GT	94	98	108	94	92	93	103	110	101	98	94	1.12	DB Heterosigoties
			CEW 110220		1.61	12.4	-0.56	2.1	1.0	16.9	109	-68	9.9	0	5	10.38	
			<input checked="" type="checkbox"/>	05.11.16	47	238	94	-	93	-	348	1192	1332	46.3			
2	DISCO BONSMARAS	VJN 160044	LAR 120026	GT	93	110	111	95	102	107	97	93	102	84	100	1.16	DB Skoon
			LPS 080066		1.78	17.7	-0.71	2.3	12.0	26.2	82	-32	10.7	-11	13	6.64	
			<input checked="" type="checkbox"/>	03.10.16	39	260	100	-	111	-	366	1171	1361	46.3			
3	DISCO BONSMARAS	VJN 160042	CRV 120217	GT	96	95	103	98	105	98	108	108	105	104	101	1.14	DB Skoon
			VJN 120017		1.42	11.0	-0.34	3.2	15.0	20.1	131	-64	13.4	5	15	6.43	
			<input checked="" type="checkbox"/>	30.09.16	37	240	92	-	99	-	362	1166	1332	41.1			
4	DISCO BONSMARAS	VJN 160046	LMR 110054	GT	106	99	85	89	100	101	107	106	105	95	100	1.15	DB Heterosigoties
			CEW 120166		0.38	12.8	0.47	0.6	10.0	22.2	126	-58	13.0	-2	14	7.6	
			<input checked="" type="checkbox"/>	04.10.16	39	260	100	-	100	-	357	1191	1372	50.1			
5	DISCO BONSMARAS	VJN 160078	JRP 120007	GT	93	109	96	104	114	112	101	97	112	86	106	1.19	DB Skoon
			VJN 130067		1.77	17.1	0.00	4.9	25.0	29.6	96	-40	18.7	-9	23	6.58	
			<input checked="" type="checkbox"/>	26.10.16	40	264	102	-	97	-	365	1147	1367	43.1			
6	DISCO BONSMARAS	AG 110231	AG 070745	GT	78	109	105	83	130	110	129	115	110	113	115	1.17	DB Skoon
			AG 070467		3.36	17.0	-0.42	-0.9	42.0	28.6	224	-78	17.6	13	34	8.54	
			<input checked="" type="checkbox"/>	04.10.11	35	230	105	-	117	-	325	1207	1417	-			

1.03	13.2	-0.19	3.7	10	21.4	94	-46	9.3	2	14
------	------	-------	-----	----	------	----	-----	-----	---	----






Lot 1 DB Heterosigoties

<p>VJN 160089 SPN Mat. 94</p> 	<p>CEW 110254 SPN Mat. 97</p> 	<p>AG 030256 SPN Mat. 85</p> 	<p>AG 980338 SPN Mat. 87</p>
			<p>AG 930063 SPN Mat. 99</p>
<p>CEW 110220 AFC 35 SPN Mat. 99 ICP 433 Age/Calv. 7/4 RI 97 Avg. WI/Calf 101/4</p> 	<p>JPL 980010 AFC 29 SPN Mat. 121 ICP 366 Age/Calv. 14/13 Avg. WI/Calf 106/13</p>	<p>CEW 080156 SPN Mat. 99</p> 	<p>KAN 900048 SPN Mat. 100</p>
			<p>JPL 930076 SPN Mat. 110</p>
<p>CEW 080068 AFC 28 SPN Mat. 93 ICP 375 Age/Calv. 11/9 Avg. WI/Calf 98/8</p> 	<p>CEW 040033 SPN Mat. 97</p>	<p>AG 040288 SPN Mat. 84</p>	<p>LAR 040172 SPN Mat. 114</p>
			<p>CEW 050099 SPN Mat. 111</p>






Lot 2 DB Skoon

<p>VJN 160044 SPN Mat. 95</p> 	<p>LAR 120026 SPN Mat. 103</p> 	<p>LAR 070055 SPN Mat. 85</p> 	<p>BG 040088 SPN Mat. 111</p>
			<p>LAR 040160 SPN Mat. 83</p>
<p>LPS 080066 AFC 26 SPN Mat. 74 ICP 362 Age/Calv. 10/9 RI 118 Avg. WI/Calf 98/8</p> 	<p>LAR 090231 AFC 34 SPN Mat. 135 ICP 388 Age/Calv. 9/7 Avg. WI/Calf 110/7</p>	<p>LPS 040144 SPN Mat. 93</p> 	<p>LAR 060198 SPN Mat. 109</p>
			<p>LAR 020081 SPN Mat. 119</p>
<p>LPS 040075 AFC 31 SPN Mat. 77 ICP 485 Age/Calv. 4/2 Avg. WI/Calf 102/2</p> 	<p>LPS 990048 SPN Mat. 132</p>	<p>AG 950172 SPN Mat. 85</p>	<p>HDE 000089 SPN Mat. 85</p>
			<p>LPS 960085 SPN Mat. 69</p>





Lot 3 DB Skoon

<p>VJN 160042 SPN Mat. 98</p> 	<p>CRV 120217 SPN Mat. 98 Gold</p> 	<p>AJF 080040 SPN Mat. 76</p> 	<p>AG 040061 SPN Mat. 73</p>
			<p>AJF 020126 SPN Mat. 97</p>
<p>VJN 120017 AFC 36 SPN Mat. 93 ICP 393 Age/Calv. 5/3 RI 99 Avg. WI/Calf 100/2</p> 	<p>CRV 090303 AFC 35 SPN Mat. 125 ICP 384 Age/Calv. 9/7 Avg. WI/Calf 107/5</p>	<p>JBR 000027 SPN Mat. 93</p>	<p>HJL 040244 SPN Mat. 136</p>
			<p>JBR 000027 SPN Mat. 93</p>
<p>VJN 040170 AFC * SPN Mat. 107 ICP 435 Age/Calv. */6 Avg. WI/Calf 103/4</p> 	<p>JRP 080023 SPN Mat. 83</p>	<p>STI 040059 SPN Mat. 92</p>	<p>LAR 050008 SPN Mat. 95</p>
			<p>SPN Mat.</p>




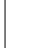

Lot 4 DB Heterosigoties

<p>VJN 160046 SPN Mat. 89</p> 	<p>LMR 110054 SPN Mat. 81</p> 	<p>AG 030046 SPN Mat. 88</p> 	<p>AG 980338 SPN Mat. 87</p>
			<p>AG 980123 SPN Mat. 106</p>
<p>CEW 120166 AFC 30 SPN Mat. 100 ICP 448 Age/Calv. 5/3 RI 103 Avg. WI/Calf 99/3</p> 	<p>LMR 040060 AFC 31 SPN Mat. 74 ICP 401 Age/Calv. 12/10 Avg. WI/Calf 94/10</p>	<p>LMR 070316 SPN Mat. 113</p>	<p>RCO 970028 SPN Mat. 103</p>
			<p>LMR 000105 SPN Mat. 83</p>
<p>CEW 070071 AFC 32 SPN Mat. 92 ICP 441 Age/Calv. 11/8 Avg. WI/Calf 96/7</p> 	<p>JPL 010084 SPN Mat. 120</p>	<p>AEJ 980062 SPN Mat. 111</p>	<p>AG 020193 SPN Mat. 111</p>
			<p>SPN Mat. 111</p>

Lot 5 DB Skoon

<p>VJN 160078 SPN Mat. 104</p> 	<p>JRP 120007 SPN Mat. 106</p> 	<p>LAR 060039 SPN Mat. 71</p>	<p>EI 980080 SPN Mat. 88</p>
			<p>LAR 030080 SPN Mat. 76</p>
<p>VJN 130067 AFC 36 SPN Mat. 100 ICP 89 Age/Calv. 3/1 RI 89 Avg. WI/Calf 102/1</p> 	<p>JRP 090021 AFC 30 SPN Mat. 126 ICP 416 Age/Calv. 9/7 Avg. WI/Calf 106/6</p>	<p>JRP 060043 SPN Mat. 115</p>	<p>JRP 020050 SPN Mat. 98</p>
			<p>JRP 020050 SPN Mat. 98</p>
<p>VJN 040168 AFC * SPN Mat. 98 ICP 358 Age/Calv. */7 Avg. WI/Calf 105/4</p> 	<p>FCT 060141 SPN Mat. 97</p>	<p>FCT 040101 SPN Mat. 90</p>	<p>FCT 980187 SPN Mat. 107</p>
			<p>SPN Mat.</p>

Lot 6 DB Skoon

<p>AG 110231 SPN Mat. 83</p> 	<p>AG 070745 SPN Mat. 93</p> 	<p>WAT 030085 SPN Mat. 99</p> 	<p>WAT 000200 SPN Mat. 112</p>
			<p>WAT 980109 SPN Mat. 114</p>
<p>AG 070467 AFC 34 SPN Mat. 109 ICP 370 Age/Calv. 10/8 RI 110 Avg. WI/Calf 104/8</p> 	<p>AG 030221 AFC 25 SPN Mat. 110 ICP 409 Age/Calv. 5/4 Avg. WI/Calf 108/4</p>	<p>LAR 030312 SPN Mat. 106</p>	<p>AG 990104 SPN Mat. 63</p>
			<p>AG 000005 SPN Mat. 131</p>
<p>AG 040150 AFC 25 SPN Mat. 110 ICP 493 Age/Calv. 6/4 Avg. WI/Calf 106/4</p> 	<p>LAR 010297 SPN Mat. 71</p>	<p>LAR 990317 SPN Mat. 87</p>	<p>LAR 010297 SPN Mat. 71</p>
			<p>LAR 990317 SPN Mat. 87</p>

SAAMGESTEL DEUR DIE SUID-AFRIKAANSE STAMBOEK- EN VEEVERBETERINGSVERENIGING

Veilingsdatum: 26/07/2019
Data soos op 16/07/2019 13:07:38

Lot 7 DB Heterosigoties

VJN 160053 SPN Mat. 113

DBP 120127 SPN Mat. 118
Brons

CEW 120149

OEK 37 SPN Mat. 113
TKP 366 Oud/Kalw. 6/4
RI 104 Gem. SI/Kalf 111/2

DFP 080191 SPN Mat. 96

NFS 080328

OEK 30 SPN Mat. 116
TKP 455 Oud/Kalw. 10/7
Gem. SI/Kalf 105/7

LMR 070316 SPN Mat. 113

MCH 010130

OEK 36 SPN Mat. 83
TKP 367 Oud/Kalw. 14/12
Gem. SI/Kalf 101/11

HP 020153 SPN Mat. 93
DFP 040084 SPN Mat. 91
NFS 050325 SPN Mat. 121
NFS 050184 SPN Mat. 111
AG 020193 SPN Mat. 111
LMR 030010 SPN Mat. 120
LAR 970297 SPN Mat. 66
MCH 930080 SPN Mat. 84

Lot 8 DB Skoon

VJN 160011 SPN Mat. 105

LAR 120217 SPN Mat. 113

VJN 130100

OEK 34 SPN Mat. 107
TKP 376 Oud/Kalw. 4/2
RI 101 Gem. SI/Kalf 110/2

LAR 100031 SPN Mat. 110

Elite-Silwer

LAR 070225

OEK 37 SPN Mat. 124
TKP 414 Oud/Kalw. 11/8
Gem. SI/Kalf 100/7

AG 100179 SPN Mat. 93

GZV 090044

OEK 23 SPN Mat. 88
TKP 401 Oud/Kalw. 9/7
Gem. SI/Kalf 97/7

LAR 060224 SPN Mat. 119
LAR 070208 SPN Mat. 96
LAR 040287 SPN Mat. 136
LAR 960222 SPN Mat. 116
AG 070230 SPN Mat. 93
AG 080312 SPN Mat. 89
PHR 060062 SPN Mat. 81
GZV 060318 SPN Mat. 97

Lot 9 DB Skoon

VJN 160061 SPN Mat. 100

LAR 120217 SPN Mat. 113

VJN 130085

OEK 36 SPN Mat. 103
TKP Oud/Kalw. 3/1
RI 92 Gem. SI/Kalf 107/1

Elite-Silwer

LAR 070225

OEK 37 SPN Mat. 124
TKP 414 Oud/Kalw. 11/8
Gem. SI/Kalf 100/7

LAR 070038 SPN Mat. 100

VJN 040004

OEK * SPN Mat. 102
TKP 376 Oud/Kalw. */6
Gem. SI/Kalf 103/5

LAR 060224 SPN Mat. 119
LAR 070208 SPN Mat. 96
LAR 040287 SPN Mat. 136
LAR 960222 SPN Mat. 116
BG 040088 SPN Mat. 111
LAR 040247 SPN Mat. 99

Lot 10 DB Skoon

VJN 170013 SPN Mat. 93

JRP 120007 SPN Mat. 106

VJN 140070

OEK 29 SPN Mat. 81
TKP 522 Oud/Kalw. 4/2
RI 102 Gem. SI/Kalf 101/2

LAR 060039 SPN Mat. 71

JRP 090021

OEK 30 SPN Mat. 126
TKP 416 Oud/Kalw. 9/7
Gem. SI/Kalf 106/6

LAR 070038 SPN Mat. 100

GZV 030020

OEK 24 SPN Mat. 65
TKP 368 Oud/Kalw. 12/11
Gem. SI/Kalf 96/11

EI 980080 SPN Mat. 88
LAR 030080 SPN Mat. 76
JRP 060043 SPN Mat. 115
JRP 020050 SPN Mat. 98
BG 040088 SPN Mat. 111
LAR 040247 SPN Mat. 99
AG 990157 SPN Mat. 69
GZV 990011 SPN Mat. 70

Lot 11 DB Skoon

VJN 160102 SPN Mat. 101

CRV 120217 SPN Mat. 98
Goud

VJN 110053 Pp(c)

OEK 25 SPN Mat. 95
TKP 367 Oud/Kalw. 7/6
RI 119 Gem. SI/Kalf 103/6

Elite-Brons

CRV 090303

OEK 35 SPN Mat. 125
TKP 384 Oud/Kalw. 9/7
Gem. SI/Kalf 107/5

FCT 060141 SPN Mat. 97

VJN 030179

OEK * SPN Mat. 77
TKP 366 Oud/Kalw. */8
Gem. SI/Kalf 95/6

AG 040061 SPN Mat. 73
AJF 020126 SPN Mat. 97
HJL 040244 SPN Mat. 136
JBR 000027 SPN Mat. 93
FCT 040101 SPN Mat. 90
FCT 980187 SPN Mat. 107

Lot 12 DB Heterosigoties

VJN 160064 SPN Mat. 109

DBP 120127 SPN Mat. 118
Brons

CEW 120051

OEK 35 SPN Mat. 120
TKP 426 Oud/Kalw. 6/4
RI 98 Gem. SI/Kalf 108/4

DFP 080191 SPN Mat. 96

NFS 080328

OEK 30 SPN Mat. 116
TKP 455 Oud/Kalw. 10/7
Gem. SI/Kalf 105/7

AG 060151 SPN Mat. 95







CEW 090201

OEK 30 SPN Mat. 118
TKP 407 Oud/Kalw. 6/4
Gem. SI/Kalf 108/4

HP 020153 SPN Mat. 93
DFP 040084 SPN Mat. 91
NFS 050325 SPN Mat. 121
NFS 050184 SPN Mat. 111
AG 020251 SPN Mat. 119
AG 990287 SPN Mat. 87
CEW 050041 SPN Mat. 102
DDJ 020041 SPN Mat. 91

Lot	Seller	ID POLLED Gen	PARENTS		Test Genomic Tested DNA Birth Date	Breeding Value Indexes										Semen Users	Breeder Own Remarks			
			SIRE GV PV	DAM GV PV		DIRECT CALF TRAITS		DAUGHTER TRAITS			GROWTH		EFF.	REP	MEASUREMENTS			R:		
						Progeny Birth Weight	Progeny Wean Weight	Ease of Calving	Milk prod.	Mature Weight	Post Wean Weight	Daily Gain	Feed Conv					Height & Length		
						Birth Dir	Wean Dir	Birth Mat	Wean Mat	Mat Wgt	Post Wean	ADG	FCR	SC	Hgt	Lgt	LHR			
						Acc	Acc	Acc	Acc	Acc	Acc	Acc	Acc	Acc	Acc	Acc	BWR			
						Wgt kg	Wgt kg Ind	kg	kg	kg	365d Ind	540d Ind	Ind	Ind	(mm)	(mm)	(mm)	WWR		


BULLS

13	DISCO BONSMARAS	VJN 170029	CEW 110199	C32	96	102	114	108	107	96	90	87	96	95	107	1.21	DB Heterosigoties
					1.44	14.0	-0.84	5.9	17.0	19.0	49	-18	6.4	-2	23	6.18	
			CEW 130109	<input checked="" type="checkbox"/>	22.05.17	37	264	106		-	90	104	327	1152	1390	46.8	
14	DISCO BONSMARAS	VJN 160099	CEW 110061	GT	108	91	97	100	99	91	96	101	94	87	92	1.13	DB Skoon
					0.18	9.3	-0.04	3.8	9.0	15.0	76	-49	4.1	-8	3	7.6	
			CEW 130175	<input checked="" type="checkbox"/>	01.12.16	40	225	91		-	96	-	351	1144	1287	41.4	
15	DISCO BONSMARAS	VJN 170019	LAR 120026	C32	73	125	110	107	116	121	113	110	99	109	119	1.19	DB Heterosigoties
					3.86	24.4	-0.64	5.7	27.0	36.1	153	-67	8.6	9	41	6.72	
			LPS 080096	<input checked="" type="checkbox"/>	03.05.17	46	265	102		-	114	113	319	1180	1406	40.7	
16	DISCO BONSMARAS	VJN 170009	JRP 120007	C32	79	135	103	105	137	132	115	102	121	105	121	1.19	DB Heterosigoties
					3.21	29.2	-0.32	5.1	51.0	43.5	162	-50	26.2	6	42	6.15	
			VJN 140003	<input checked="" type="checkbox"/>	19.04.17	39	281	113		-	109	99	353	1152	1375	44.4	
17	DISCO BONSMARAS	VJN 170008	LAR 120026	C32	93	117	110	99	112	117	117	110	101	97	108	1.18	DB Skoon
					1.72	21.0	-0.66	3.5	23.0	33.3	170	-67	10.4	-1	25	5.65	
			GZV 090062	<input checked="" type="checkbox"/>	12.04.17	39	249	98		-	98	92	348	1148	1350	38.8	
18	DISCO BONSMARAS	VJN 160031	JRP 120007	GT	96	110	121	98	112	108	92	87	98	86	97	1.14	DB Skoon
					1.40	17.7	-1.13	3.1	23.0	26.9	56	-19	7.5	-10	9	7.3	
			LPS 130128	<input checked="" type="checkbox"/>	26.09.16	37	260	101		-	114	-	329	1168	1337	48.5	

Lot 13 DB Heterosigoties

VJN 170029 SPN Mat. 108

CEW 110199 SPN Mat. 87



CEW 130109 SPN Mat. 117
 AFC 35 Age/Calv. 5/3
 ICP 444 Avg. WI/Calf 106/3
 RI 97

CEW 070082 SPN Mat. 78

CEW 070160 SPN Mat. 104
 AFC 35 Age/Calv. 5/3
 ICP 384 Avg. WI/Calf 100/3

VZF 090202 SPN Mat. 93
 Elite-Silver


CEW 060007 SPN Mat. 116
 AFC 29 Age/Calv. 8/6
 ICP 415 Avg. WI/Calf 105/6

CEW 020328 SPN Mat. 90
MCH 970007 SPN Mat. 89
WAT 040287 SPN Mat. 104
NFS 930410 SPN Mat. 90
LAR 030071 SPN Mat. 92
VZF 050179 SPN Mat. 106
JPL 010084 SPN Mat. 72
CEF 000294 SPN Mat. 117

Lot 14 DB Skoon

VJN 160099 SPN Mat. 100

CEW 110061 SPN Mat. 92



CEW 130175 SPN Mat. 103
 AFC 24 Age/Calv. 5/4
 ICP 366 Avg. WI/Calf 96/4
 RI 120

AG 030256 SPN Mat. 85

CEW 060026 SPN Mat. 83
 AFC 36 Age/Calv. 12/10
 ICP 383 Avg. WI/Calf 96/9

CEW 110033 SPN Mat. 114


CEW 110135 SPN Mat. 126
 AFC 25 Age/Calv. 7/5
 ICP 464 Avg. WI/Calf 113/4

AG 980338 SPN Mat. 87
AG 930063 SPN Mat. 99
AEJ 970106 SPN Mat. 68
PJJ 010182 SPN Mat. 116
LAR 060083 SPN Mat. 129
CEW 080098 SPN Mat. 118
JL 070050 SPN Mat. 108
CEW 020162 SPN Mat. 122

Lot 15 DB Heterosigoties

VJN 170019 SPN Mat. 107

LAR 120026 SPN Mat. 103



LPS 080096 SPN Mat. 117
 AFC 31 Age/Calv. 10/7
 ICP 458 Avg. WI/Calf 103/8
 RI 98

LAR 070055 SPN Mat. 85

LAR 090231 SPN Mat. 135
 AFC 34 Age/Calv. 9/7
 ICP 388 Avg. WI/Calf 110/7

HDE 000089 SPN Mat. 85
 Gold


LPS 990066 SPN Mat. 135
 AFC * Age/Calv. */11
 ICP 393 Avg. WI/Calf 105/10

BG 040088 SPN Mat. 111
LAR 040160 SPN Mat. 83
LAR 060198 SPN Mat. 109
LAR 020081 SPN Mat. 119
HDE 950011 SPN Mat. 112
HDE 940049 SPN Mat. 103
AG 950172 SPN Mat. 85
LPS 910059 SPN Mat. 139

Lot 16 DB Heterosigoties

VJN 170009 SPN Mat. 105

JRP 120007 SPN Mat. 106



VJN 140003 SPN Mat. 98
 AFC 32 Age/Calv. 4/2
 ICP 583 Avg. WI/Calf 101/2
 RI 91

LAR 060039 SPN Mat. 71

JRP 090021 SPN Mat. 126
 AFC 30 Age/Calv. 9/7
 ICP 416 Avg. WI/Calf 106/6

LAR 100035 SPN Mat. 82


VJN 100044 SPN Mat. 120
 AFC 35 Age/Calv. 4/2
 ICP 359 Avg. WI/Calf 102/2

EI 980080 SPN Mat. 88
LAR 030080 SPN Mat. 76
JRP 060043 SPN Mat. 115
JRP 020050 SPN Mat. 98
LAR 060224 SPN Mat. 119
LAR 070286 SPN Mat. 67
DAJ 050148 SPN Mat. 94
VJN 060076 SPN Mat. 154

Lot 17 DB Skoon

VJN 170008 SPN Mat. 99

LAR 120026 SPN Mat. 103



GZV 090062 SPN Mat. 95
 AFC 36 Age/Calv. 9/6
 ICP 470 Avg. WI/Calf 96/4
 RI 92

LAR 070055 SPN Mat. 85

LAR 090231 SPN Mat. 135
 AFC 34 Age/Calv. 9/7
 ICP 388 Avg. WI/Calf 110/7

PHR 060062 SPN Mat. 81


GZV 060248 SPN Mat. 96
 AFC 25 Age/Calv. 4/3
 ICP 366 Avg. WI/Calf 104/3

BG 040088 SPN Mat. 111
LAR 040160 SPN Mat. 83
LAR 060198 SPN Mat. 109
LAR 020081 SPN Mat. 119
PHR 030036 SPN Mat. 116
PHR 020091 SPN Mat. 69
GZV 020055 SPN Mat. 78
GZV 010065 SPN Mat. 92

Lot 18 DB Skoon

VJN 160031 SPN Mat. 98

JRP 120007 SPN Mat. 106



LPS 130128 SPN Mat. 92
 AFC 35 Age/Calv. 5/3
 ICP 359 Avg. WI/Calf 104/3
 RI 106

LAR 060039 SPN Mat. 71

JRP 090021 SPN Mat. 126
 AFC 30 Age/Calv. 9/7
 ICP 416 Avg. WI/Calf 106/6



LPS 100047 SPN Mat. 95

LPS 090138 SPN Mat. 79
 AFC 36 Age/Calv. 5/3
 ICP 363 Avg. WI/Calf 91/3

EI 980080 SPN Mat. 88
LAR 030080 SPN Mat. 76
JRP 060043 SPN Mat. 115
JRP 020050 SPN Mat. 98
DFP 060102 SPN Mat. 71
LPS 060100 SPN Mat. 119
LPS 060067 SPN Mat. 63
LPS 050009 SPN Mat. 106

Lot	Verkoper	ID POENA Gen	OUERS VADER GV OV MOEDER GV OV	Toets Genomies Getoets DNS Geb. dat.	Teelwaarde indekse											LHV GGV SGV	Semen Gebruikers	Gebruiker Eie Opmerkings	
					DIREKTE KALF EIENSKAPPE		DOGTER EIENSKAPPE			GROEI		DOEL	REP	MATES					V:
						Nageslag Geboorte- gewig	Nageslag Speengewig	Gemak van Kalwing	Melk prod.	Volwas- se Gewig	Naspeen- gewig	Daaglikse Toename	Voer- omset		Hoogte & Lengte				
						Geb Dir	Speen Dir		Geb Mat	Speen Mat	Volw Gew	Naspeen		GDT	VOV	SO	Hgt	Lgt	
						Akk	Akk		Akk	Akk	Akk	Akk		Akk	Akk	Akk	Akk	Akk	
						Gew kg	Gew kg	Ind	kg	kg	kg	365d Ind	540d Ind	Ind	Ind	(mm)	(mm)	(mm)	

BULLE

19	DISCO BONSMARAS	VJN 160072	LMR 110054	GT	136	84	99	82	82	87	97	101	105	90	93	1.15	DB Heterosigoties
			CEW 080068		-2.83 79	5.9 75	-0.13 55	-1.3 57	-10.0 47	12.8 63	81 67	-47 34	13.6 74	-6 76	4 73	6.46	
			<input checked="" type="checkbox"/>	20.10.16	31	247	98	-	101	-	373	1165	1343	52.3			
20	DISCO BONSMARAS	VJN 170044	CEW 110254	C32	100	103	110	88	104	95	96	86	111	93	104	1.21	DB Skoon
			CEW 080050		1.02 78	14.6 74	-0.66 53	0.5 56	14.0 46	18.2 62	75 65	-17 69	17.7 73	-3 75	19 72	7.99	
			<input checked="" type="checkbox"/>	05.06.17	41	258	102	-	96	97	360	1150	1390	51.2			


BONSMARA BEESTELERSGENOOTSKAP VAN SA

Saamgestel deur die Suid-Afrikaanse Stamboek- en Veeverbeteringsvereniging


Veilingsdatum: 26/07/2019
Data soos op 16/07/2019 13:07:40

Lot 19 DB Heterosigoties

VJN 160072
SPN Mat. 82



LMR 110054
SPN Mat. 81



CEW 080068

AG 030046
SPN Mat. 88

LMR 040060
OEK 31 SPN Mat. 74
TKP 401 Oud/Kalw. 12/10
Gem. Sl/Kalf 94/10

AG 040288
SPN Mat. 84

CEW 050099
OEK 31 SPN Mat. 111
TKP 377 Oud/Kalw. 13/11
Gem. Sl/Kalf 101/10

AG 980338
SPN Mat. 87

AG 980123
SPN Mat. 106

RCO 970028
SPN Mat. 103

LMR 000105
SPN Mat. 83

AG 990104
SPN Mat. 63


AG 960026
SPN Mat. 110

EI 020255 P
SPN Mat. 90


JPL 950039 P
SPN Mat. 108

Lot 20 DB Skoon

VJN 170044
SPN Mat. 88



CEW 110254
SPN Mat. 97



CEW 080050

AG 030256
SPN Mat. 85

JPL 980010
OEK 29 SPN Mat. 121
TKP 366 Oud/Kalw. 14/13
Gem. Sl/Kalf 106/13

AG 040288
SPN Mat. 84

CEW 050114
OEK 30 SPN Mat. 88
TKP 482 Oud/Kalw. 6/4
Gem. Sl/Kalf 100/4

AG 980338
SPN Mat. 87

AG 930063
SPN Mat. 99

KAN 900048
SPN Mat. 100

JPL 930076
SPN Mat. 110

AG 990104
SPN Mat. 63

AG 960026
SPN Mat. 110

HP 010161
SPN Mat. 62

NFS 930410
SPN Mat. 90